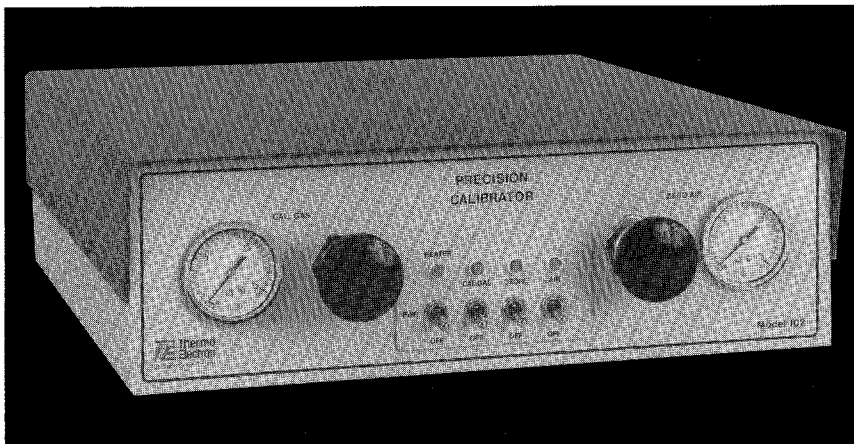


Gas Phase Titration Calibrators

Model 102 Gas Phase Titration Calibrator

Thermo Environmental's Model 102N utilize zero and span check, the EPA approved method of gas phase titration for the precise generation of NO₂ and NO span gas for calibrating ambient NO-NO₂-NO_x Analyzers.

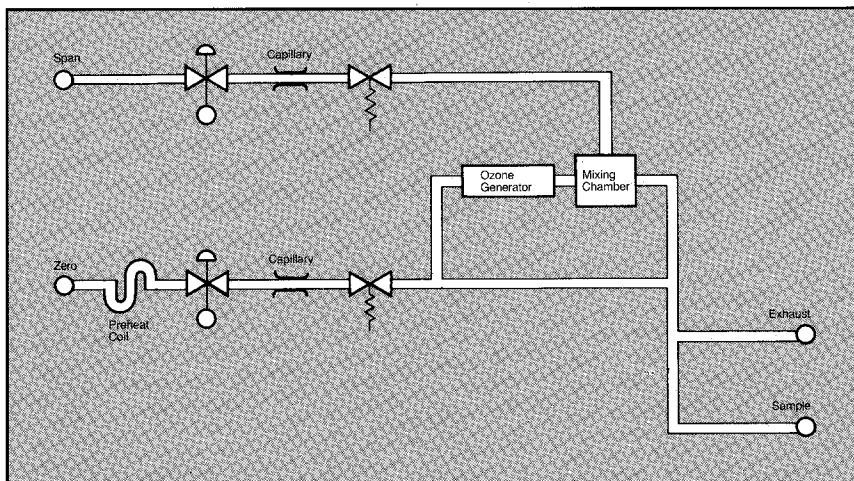
The Model 102N generates a precise, controlled amount of ozone in an ultra-violet ozonator for the subsequent gas phase titration of nitric oxide with ozone. The 102N features a fixed dilution of a high concentration cylinder of NO/N₂ calibration gas to a lower level for the zero and span check of ambient NO_x Analyzers.



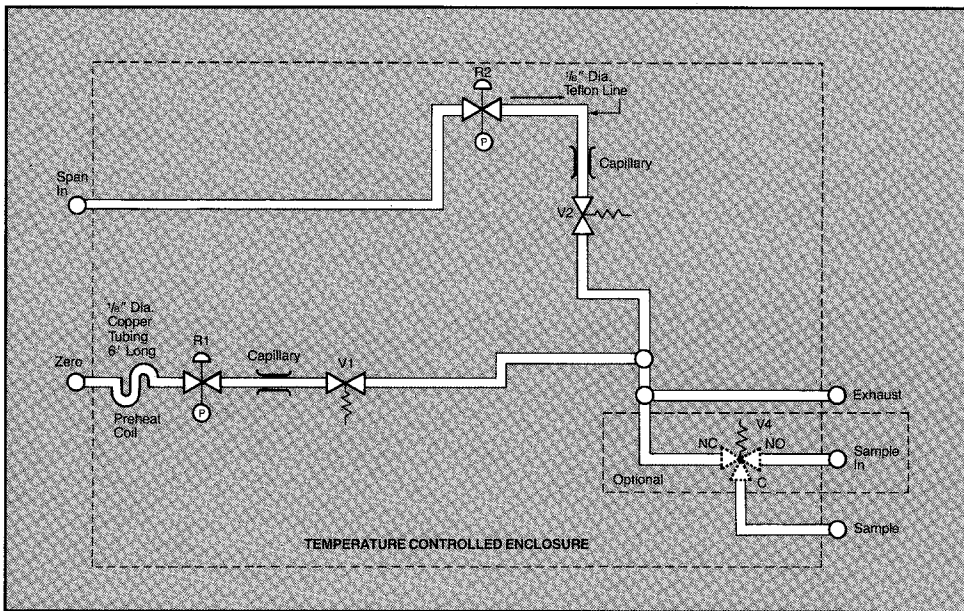
Model 102 Specifications

Dilution Ratio	Fixed (standard range: 100:1 to 500:1)
Flow Rate	~2ℓ/min
Operating Temperature	Controlled to 40 ±2°C
Ambient Temperature Range	10-35°C
Dimensions	5.3" high X 16.7" wide X 16.5" deep
Weight	15 lbs.
Power Requirements	250 watts; 115V AC/60 Hz; 220V AC/50 Hz
Required Peripherals	Cylinder of NO/N ₂ Calibration Gas; Zero Air Supply*

*Thermo Environmental Instruments offers a Model 111 Zero Air Supply

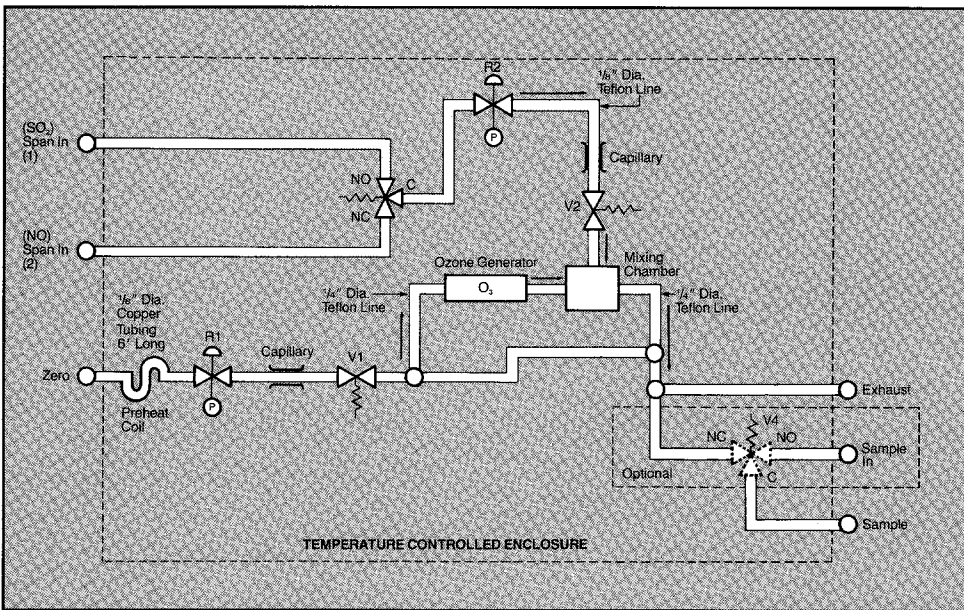


Model 102N Flow Scheme



Model 102S: Same as Model 102N, but supplied without ozonator. Designed for span check of other ambient air monitors.

Model 102S Flow Scheme



Model 102NS: Same as Model 102N, but incorporates a special Teflon valve matrix to accommodate external cylinders of NO and a second gas so that calibration of both NO_x and other analyzers can be alternately performed with a single unit.

Model 102NS Flow Scheme

Option 002: Rack Mounts

**Thermo Environmental
Instruments Inc.**

8 West Forge Pky., Franklin, MA 02038 USA
TEL: 508-520-0430 Fax: 508-520-1460