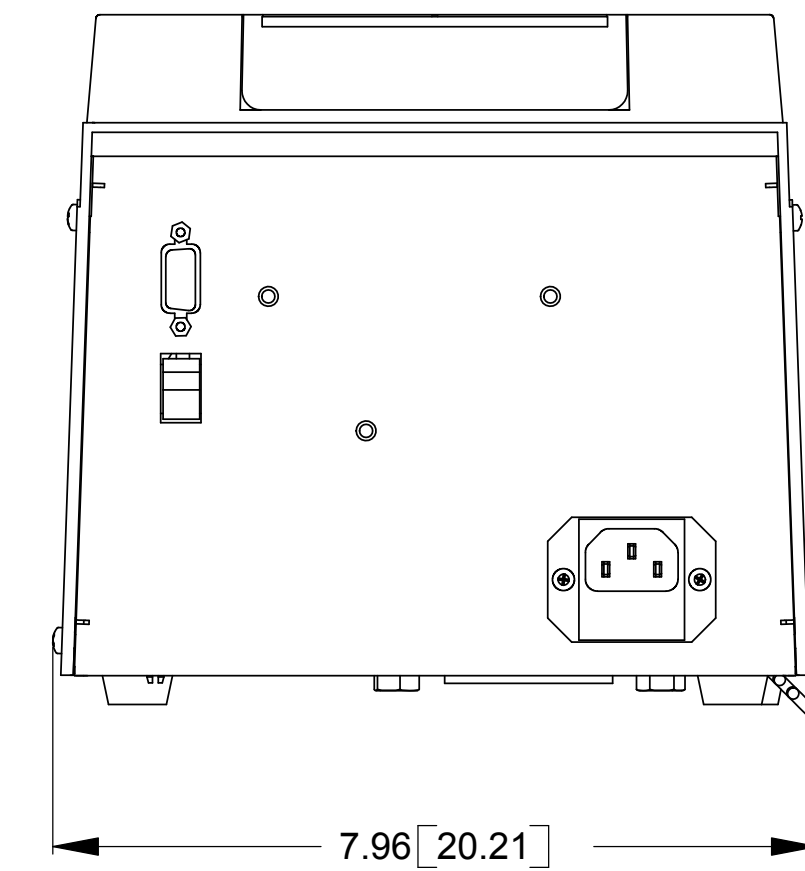
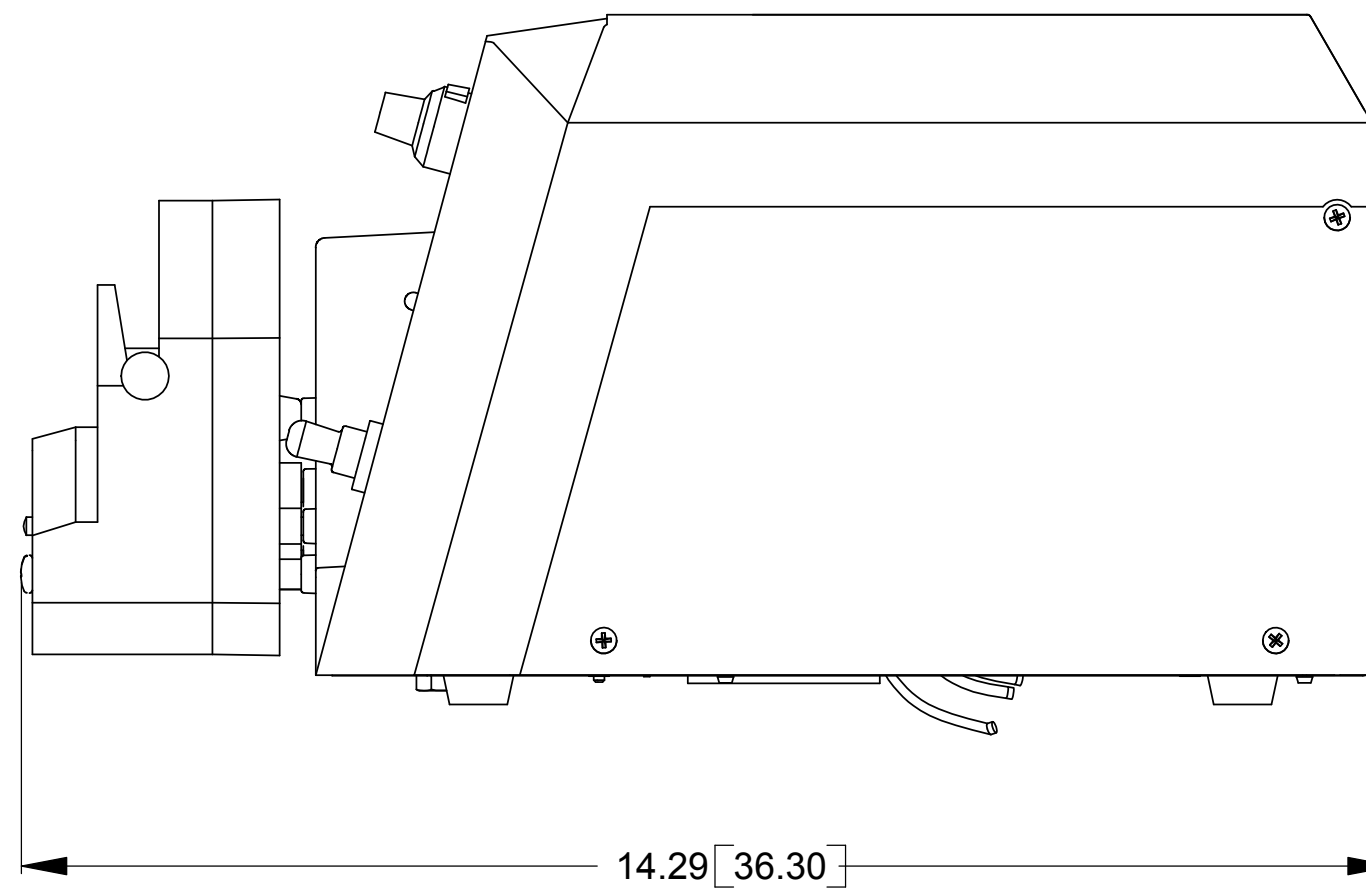
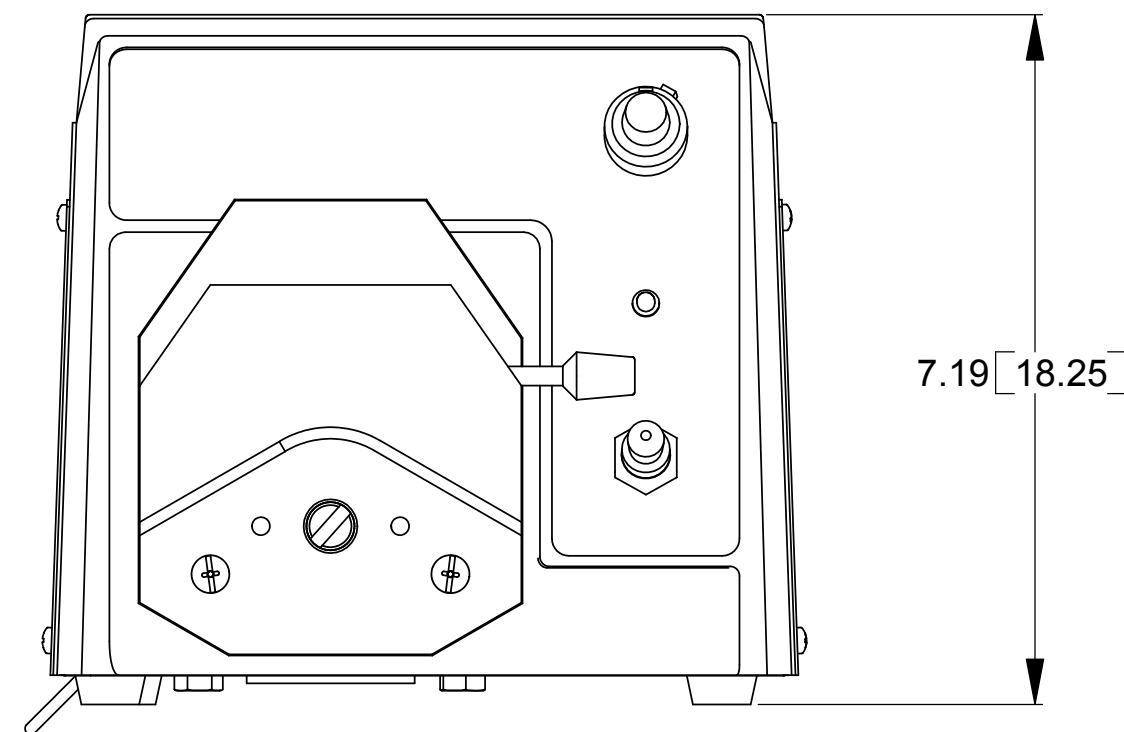
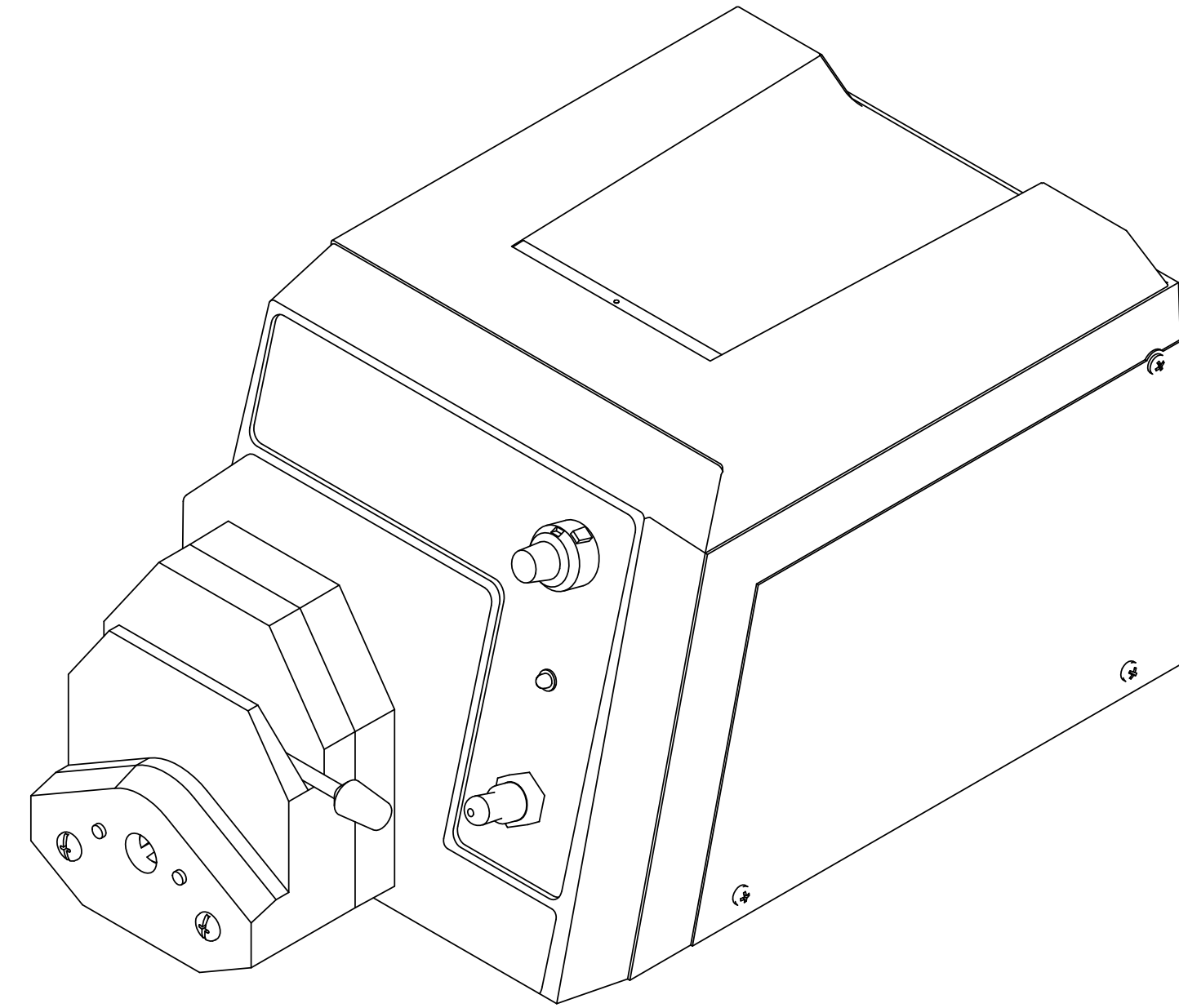


MODEL NUMBER:

955-1000
 956-1000
 955-1005
 956-1005
 955-1500
 956-1500
 955-1505
 956-1505



NOTES:

1. ALL DIMENSIONS IN INCHES [CM]
2. ALL DIMENSIONS APPROXIMATE

								THE INFORMATION CONTAINED IN THIS DRAWING IS THE SOLE PROPERTY OF THE BARNANT COMPANY. ANY REPRODUCTION IN PART OR WHOLE WITHOUT THE WRITTEN PERMISSION OF THE BARNANT COMPANY IS PROHIBITED.				
								DATE DRAWN: 6-3-05 DRAWN BY: W. SCHIMPF CHECKED BY: JJS APPROVED BY: GJ SCALE: 1:2 DO NOT SCALE DRAWING				
								UNLESS OTHERWISE SPECIFIED: DIMENSIONS ARE IN INCHES TOLERANCES ARE: .XX ±.01 .XXX ±.005 ANGLES ±.1° MACHINED PARTS TO BE 12GRMS				
								MATERIAL: NA CERTIFICATION OF CONFORMITY/ COMPLIANCE REQUIRED: <input type="checkbox"/> MATERIAL <input type="checkbox"/> FINISH <input type="checkbox"/> SOURCE CONTROLLED PART NAME: OUTLINE, DRAWING 95X-1XXX				
								SHEET 1 of 1 DRAWING NUMBER: 108311				
REV	DESCRIPTION	ECN/PRM	DATE	REV	DESCRIPTION	ECN/PRM	DATE	PART No.	PROCESS/FINISH/ MODEL No.			
A	RELEASE FOR PRODUCTION	ECN 14595	04/10/06									

Barnant
 Barnant Company, 28W092 Commercial Avenue
 Barrington, Illinois 60010-2392 (847)-381-7050