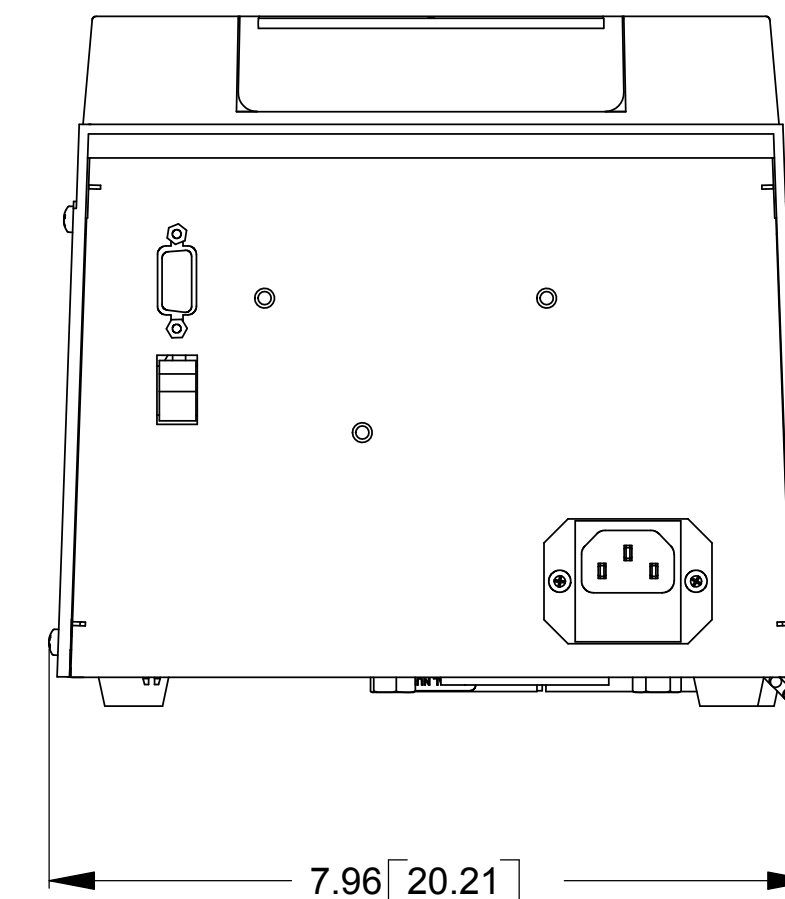
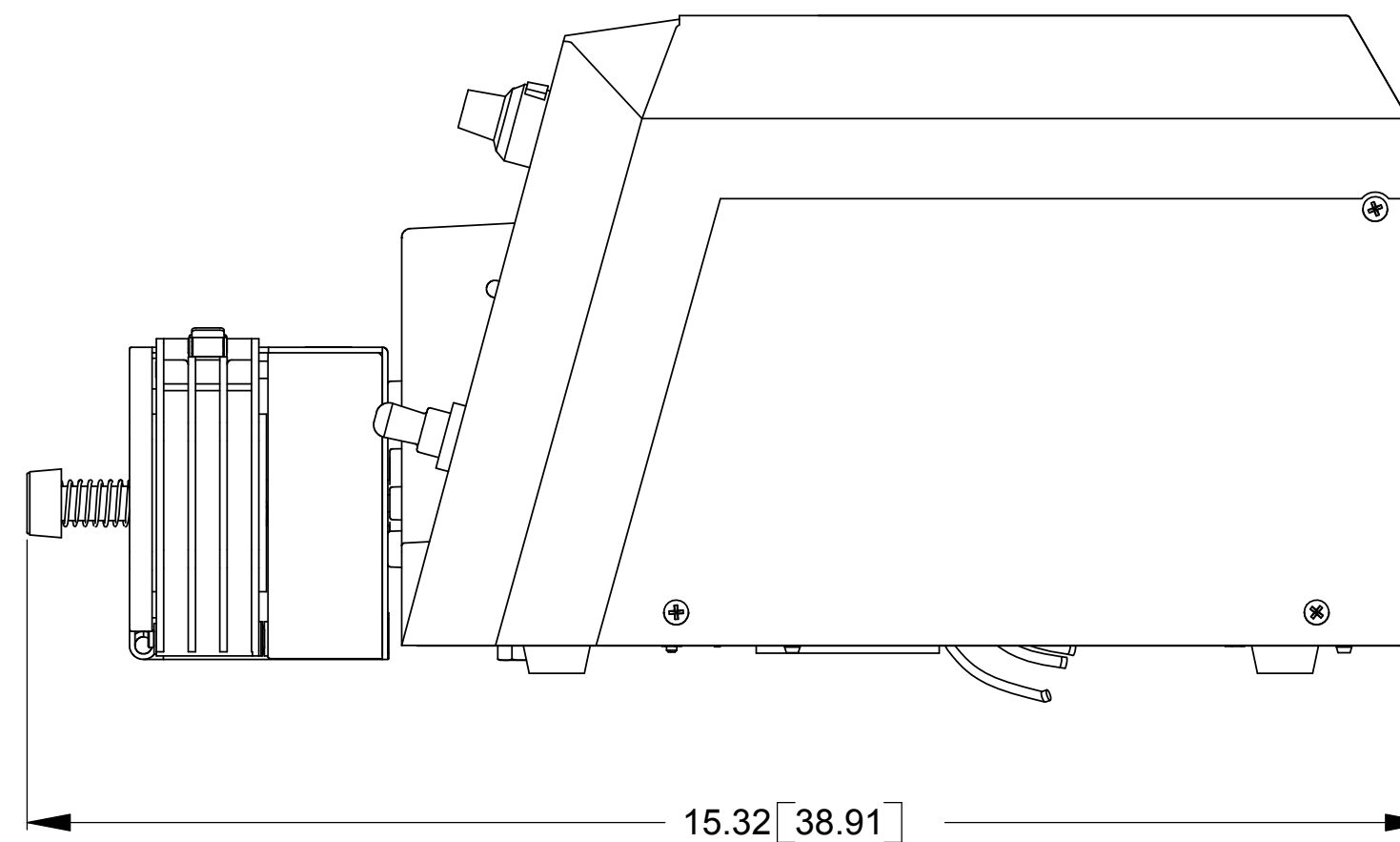
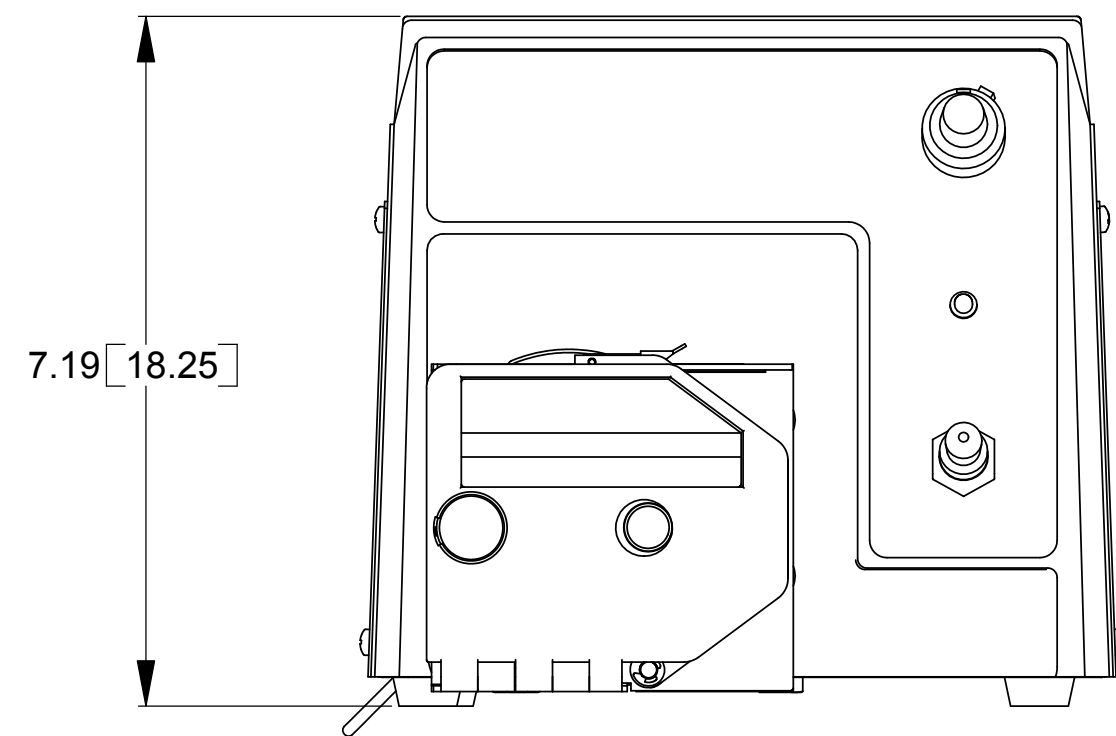
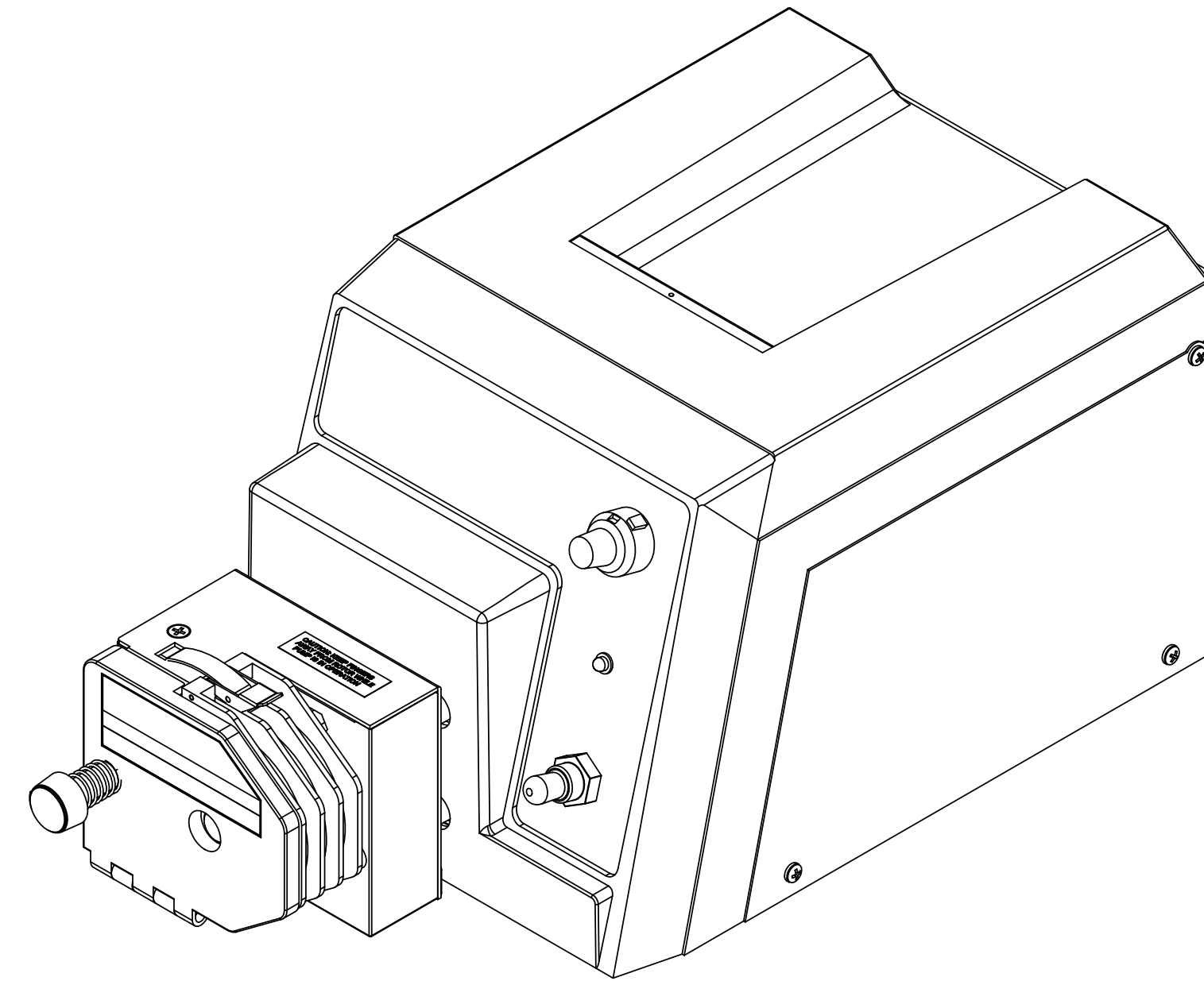


MODEL NUMBER:

965-1000  
 965-1005  
 965-1500  
 965-1505  
 970-1500  
 970-1505



NOTES:

1. ALL DIMENSIONS IN INCHES [CM]
2. ALL DIMENSIONS APPROXIMATE

|     |                        |         |          |     |             |         |      |   |                           |  |  |  |  |
|-----|------------------------|---------|----------|-----|-------------|---------|------|---|---------------------------|--|--|--|--|
|     |                        |         |          |     |             |         |      | THE INFORMATION CONTAINED IN THIS DRAWING IS THE SOLE PROPERTY OF THE BARNANT COMPANY. ANY REPRODUCTION IN PART OR WHOLE WITHOUT THE WRITTEN PERMISSION OF THE BARNANT COMPANY IS PROHIBITED.   |                           |  |  |  |  |
|     |                        |         |          |     |             |         |      | DATE DRAWN: 6-3-05<br>DRAWN BY: W. SCHIMPF<br>CHECKED BY: JJS<br>APPROVED BY: GJ<br>SCALE: 1:2<br>DO NOT SCALE DRAWING  |                           |  |  |  |  |
|     |                        |         |          |     |             |         |      | UNLESS OTHERWISE SPECIFIED:<br>DIMENSIONS ARE IN INCHES<br>TOLERANCES ARE:<br>.XX<br>.XX<br>.XX<br>ANGLES<br>.19<br>MACHINED PARTS TO BE 12GRMS   |                           |  |  |  |  |
|     |                        |         |          |     |             |         |      | MATERIAL: NA<br>CERTIFICATION OF CONFORMITY/ COMPLIANCE REQUIRED: <input type="checkbox"/> MATERIAL <input type="checkbox"/> FINISH <input type="checkbox"/> SOURCE CONTROLLED<br>PART NAME: <b>OUTLINE, DWG DRIV &amp; HI PERF PMP</b> |                           |  |  |  |  |
|     |                        |         |          |     |             |         |      | BARNANT<br>Barnant Company, 28W092 Commercial Avenue<br>Barrington, Illinois 60010-2392 (847)-381-7050  |                           |  |  |  |  |
|     |                        |         |          |     |             |         |      | SHEET 1 of 1<br>DRAWING NUMBER: 108312  |                           |  |  |  |  |
| REV | DESCRIPTION            | ECN/PRM | DATE     | REV | DESCRIPTION | ECN/PRM | DATE | PART No.  | PROCESS/FINISH/ MODEL No. |  |  |  |  |
| A   | RELEASE FOR PRODUCTION | 14595   | 04/07/06 |     |             |         |      |   |                           |  |  |  |  |