

The Thermo Scientific Presenter RS is a high throughput ambient storage device. Its compact design and re-stacking capability makes the Presenter RS the ideal plate storage accessory for any robotic device or integrated system.

Thermo Scientific Presenter RS



High Density Storage, Easy Integration, Great Value

The Thermo Scientific Presenter RS is the ideal high density storage solution for any robotic system. The device can stack and store both lidded and unlidded SBS conforming plates and can integrate with any robotic device. The Presenter RS has access times as fast as 1.5 seconds. It can restack microplates, returning them to their original order.

The Presenter RS is the only ambient storage device that can be set up in a high density 4 stak configuration to hold up to 200 - 15mm microplates (300 - 10mm plates). This 4 stak configuration produces the highest capacity and throughput in its class and is controlled by a single software interface.

With two configurations and a variety of stack heights, the Presenter RS can fit into virtually any space. The 2 stak model, with its small footprint, is ideal for use in a wide variety of biological safety cabinets.

Important Benefits

Superior Productivity

- Fast access time of up to 1.5 seconds in the 4 stak configuration
- Restacks microplates back to their original order
- Highest density of all stacker storage devices

Flexible Storage

- Flexible storage capabilities, 2 stak or 4 stak configurations
- Variable standard stack sizes – 25, 30 and 50 plate
- Very high storage capacity of up to 200 - 15 mm plates (300 - 10 mm plates)
- Manipulate and store lidded and unlidded SBS conforming plates

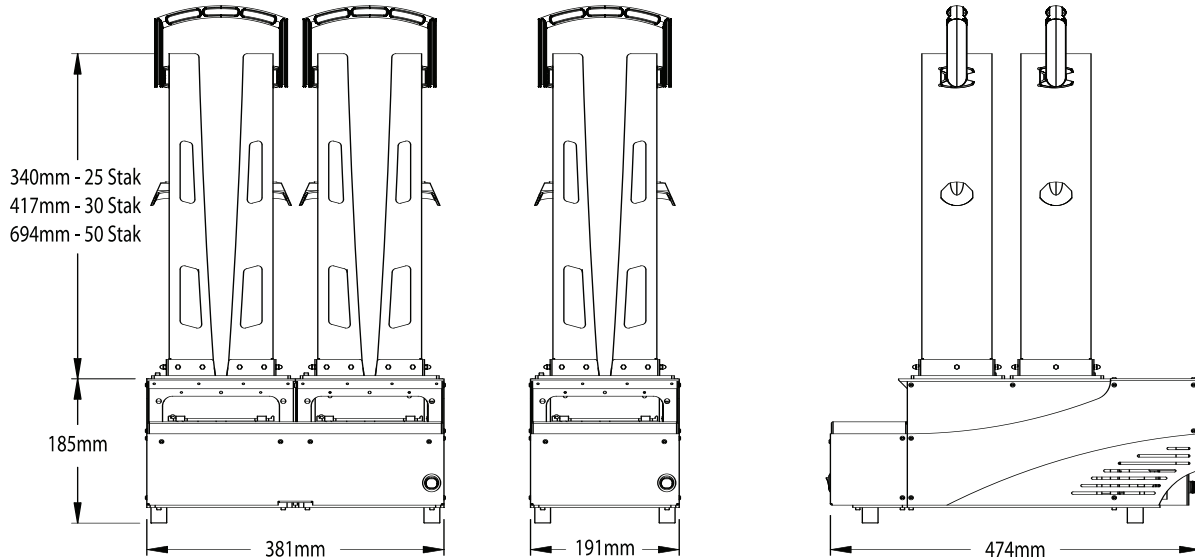
Superior Integration

- Open nest access - can integrate with any robotic device
- .NET and ActiveX programming interfaces
- Requires only electricity to operate (115,230 VAC)



Product Specifications

The Thermo Scientific Presenter RS is a rapid, reliable and economical microplate delivery, retrieval and stacking device that can be seamlessly integrated with any robotic device.



Presenter RS Specifications

		Part Number
Models	<ul style="list-style-type: none"> Presenter RS (2 staks) Presenter RS 2x (4 staks) 	F01678 F01679
Microplate types	<ul style="list-style-type: none"> SBS conforming plates 6-22 mm plate height Contact us for lid compatibility details 	
Speed	<ul style="list-style-type: none"> 3 secs/plate 1.5 secs/plate with concurrent operation on 2x model 5 seconds per plate restacking 	
Standard Stak Sizes	<ul style="list-style-type: none"> 25 plate 30 plate 50 plate 	F01492 F01362 F01363
Plate capacity (assume 15 mm plates)	<ul style="list-style-type: none"> Up to 200 plates 	
Open Nest Access	<ul style="list-style-type: none"> Can integrate with any robotic device 	
Interfaces	<ul style="list-style-type: none"> .NET and ActiveX programming interfaces 	
Power Requirements	<ul style="list-style-type: none"> 115, 230VAC – auto switching power supply No air required 	
Weight	<ul style="list-style-type: none"> Presenter RS – 13 kg Presenter RS 2x – 18 kg 	

© 2008 Thermo Fisher Scientific Inc. All rights reserved. All trademarks are the property of Thermo Fisher Scientific Inc. and its subsidiaries.

BRO-LACI-PresenterRS-0408