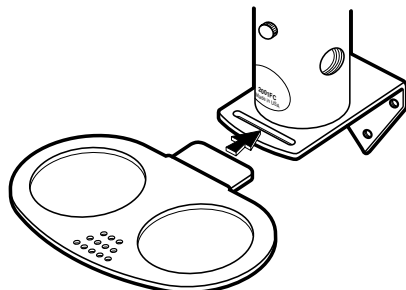


Thermo Scientific Orion Online Monitor Calibration Beaker Holder

The calibration beaker holder, Cat. No. 2001BH, is designed to make calibrating online electrodes faster and easier. Two portable calibration beakers make calibrating several electrode systems more simple. The beakers have screw caps, so the holder and beakers can be transported to several online monitors for calibration without replacing the calibration buffers or standards.

Using the Calibration Beaker Holder

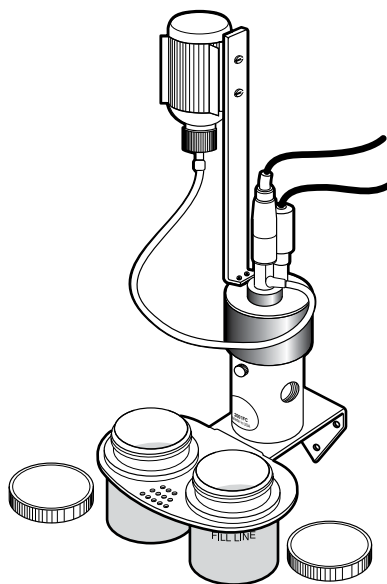
1. Insert the calibration beaker holder into the slot in the flowcell bracket.



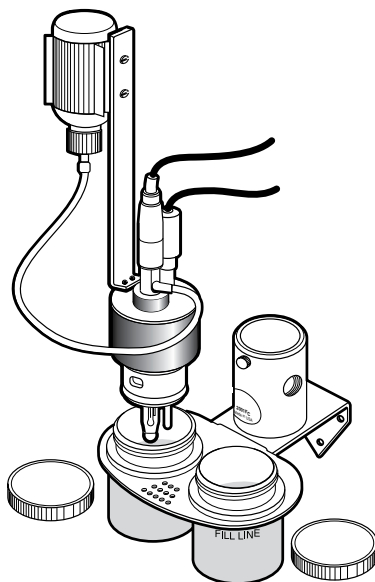
2. Fill the calibration beakers to the fill line (approximately 40 mL) with the appropriate calibration buffer.



3. Remove the caps and place the calibration beakers into the holder.



- Carefully remove the flow cell cap with the electrode and ATC probe. Rinse the electrodes and place them into the first calibration beaker. Follow the calibration steps outlined in the monitor user guide. If a two point calibration will be performed, rinse the electrodes with distilled or deionized water before placing them into the second calibration beaker.



For Best Results

- To avoid contamination, keep the caps on the beakers when not in use.
- Replace buffers or calibration standards frequently and rinse out the beakers with deionized water as necessary.
- Always rinse the electrodes with distilled or deionized water before placing them into the calibration beakers.

Ordering Information:

Cat. No.	Description
2001BH	Calibration beaker holder with two beakers and caps
2001B2	Two spare calibration beakers

Environmental Instruments
Water Analysis Instruments

©2008 Thermo Fisher Scientific Inc. All rights reserved. All trademarks are the property of Thermo Fisher Scientific Inc. and its subsidiaries.

North America
166 Cummings Center
Beverly, MA 01915 USA
Toll Free: 1-800-225-1480
Tel: 1-978-232-6000
Dom. Fax: 1-978-232-6015
Int'l Fax: 978-232-6031

Europe
Denmark House, Angel Drove
Ely, Cambridgeshire
England, CB7 4ET
Tel: 44-1353-666111
Fax: 44-1353-666001

Asia Pacific
Blk 55, Ayer Rajah Crescent
#04-16/24, Singapore 139949
Tel: 65-6778-6876
Fax: 65-6773-0836

www.thermo.com/water



255076-001 Rev.A 03-08

